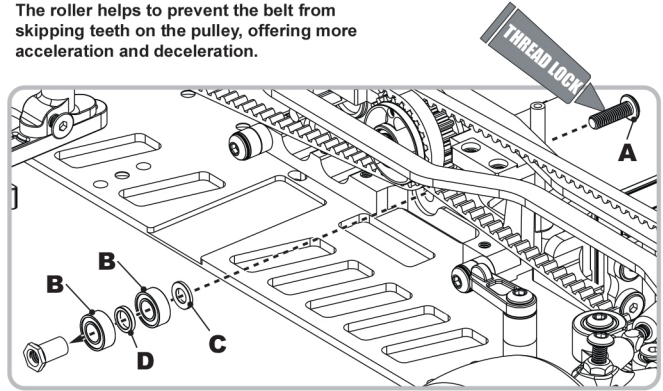


This Belt Roller set is recommended for use in high power, high grip applications. The roller helps to prevent the belt from skipping teeth on the pulley, offering more acceleration and deceleration.



A x1

M3 x 10 Button Hd Screw



B x2

ø4 x ø8 x 3



C x1

M3 Black Spacer 0.75mm



D x1

ø5 x ø7 x 0.45mm



Set the power roller to have minimal clearance to the belts. Never set the bearing touching the belt.

