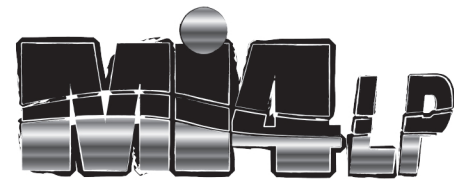
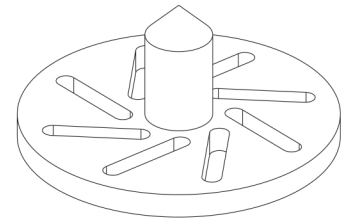
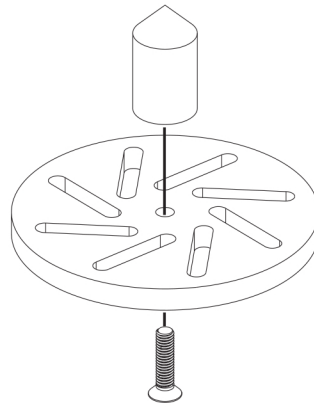


Car Balancing Jig U3582

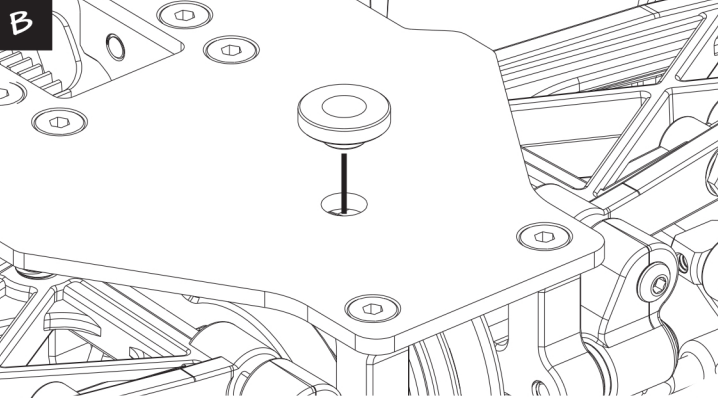


A The Balancing Jig, with the aid of a pair of scales, is used to accurately and independently measure the corner weights of your car.

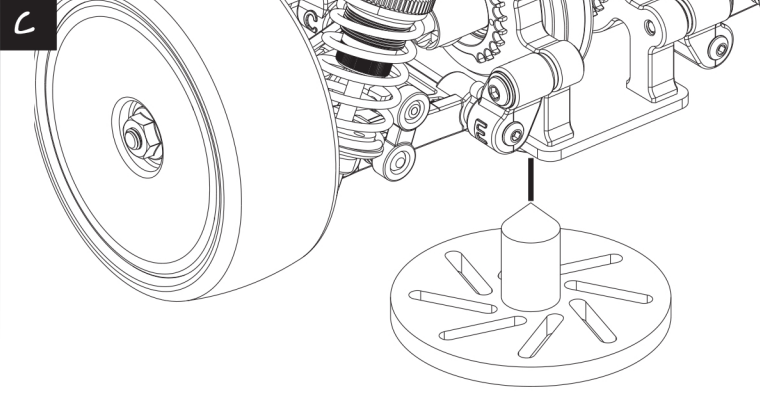
We use a Three point balancing system to eliminate any false readings caused by chassis tweak.



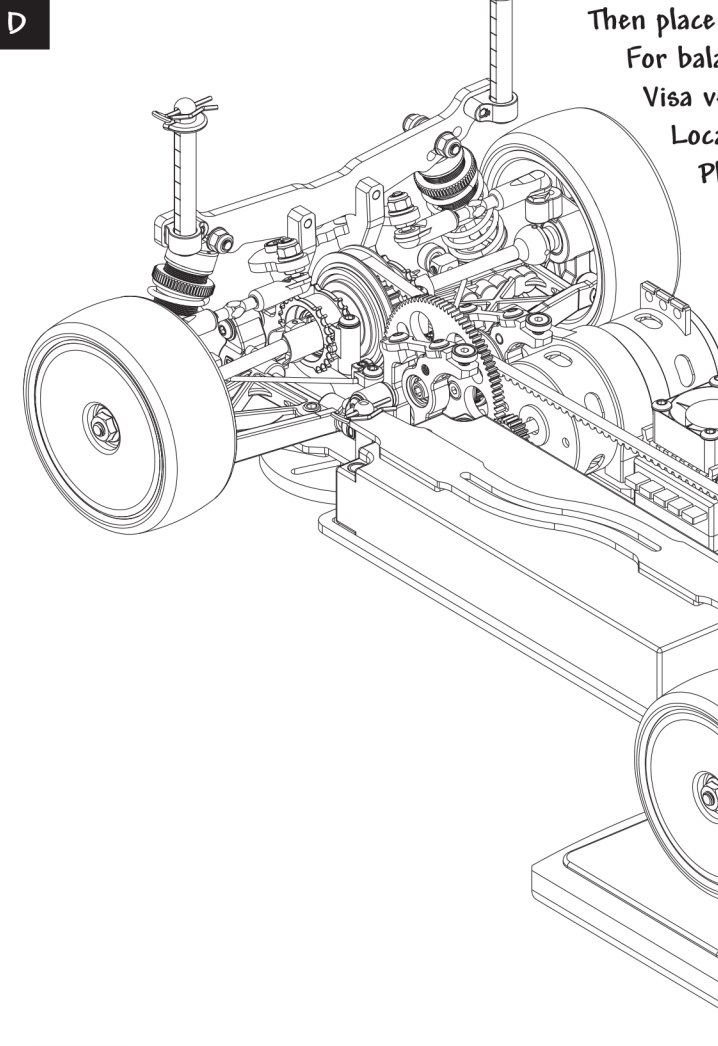
Car Balancing Jig U3582



Car Balancing Jig U3582



Car Balancing Jig U3582



First you must accurately set the ride height of your car.
Then place the Pivot Bush in the chassis hole (B).

For balancing the front of the car place the bush in the rear hole and
Visa versa.

Locate the balance Jig into the pivot bush (C).

Place the other end of the car on a pair of identical scales (D).

The car Must be Horizontal so raise either the scales or the
balance jig to acheive this.

Read off the two scales and add or remove weights
until both figures are the same.